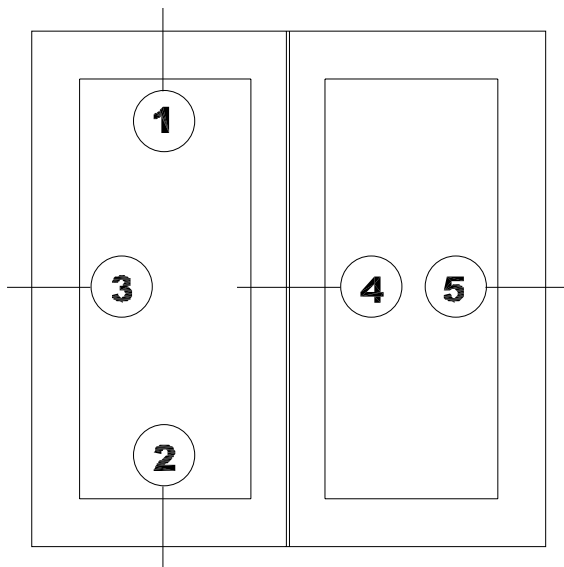




TH-5250 SERIES

2 1/2" MAIN FRAME CASEMENT IN ADJ CASEMENT IN 1" INSULATED GLAZING

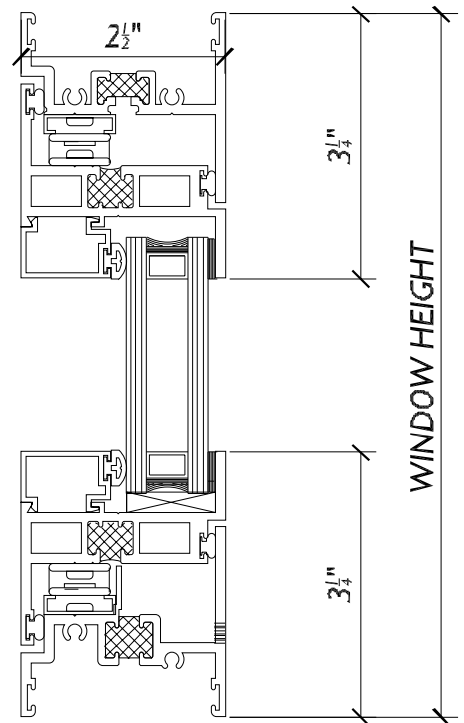
FOR COMPLETE SELECTION OF DRAWINGS FOR THIS WINDOW SERIES
PLEASE CONTACT US EITHER BY E-MAIL, ENG-DEPT@TMIWINDOWS.COM
OR BY CALLING THE ENGINEERING DEPARTMENT AT 908-810-0030



WINDOW ELEVATION

**HEAD 1
4-BAR**

**SILL 2
4-BAR**

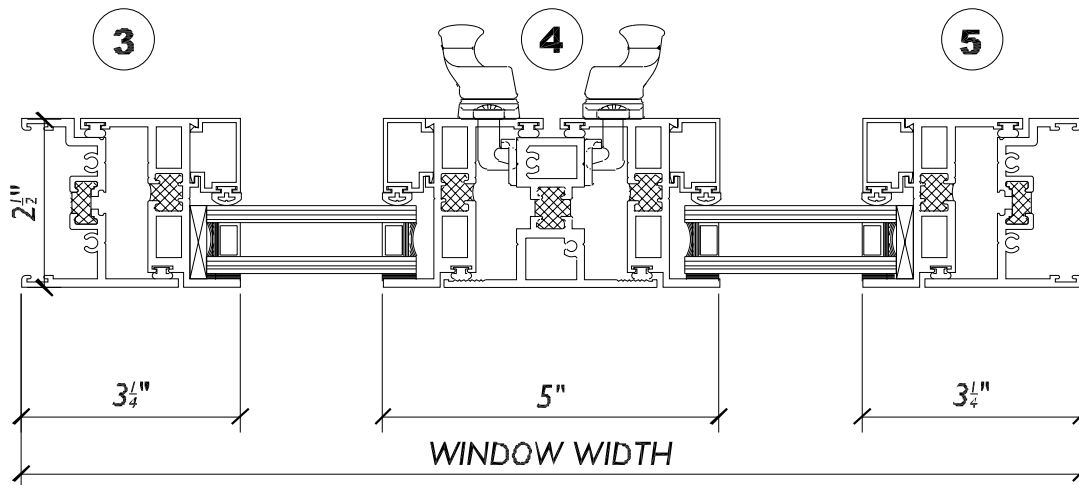


MTG. RAIL

JAMB

CAMS

JAMB



WINDOW WIDTH